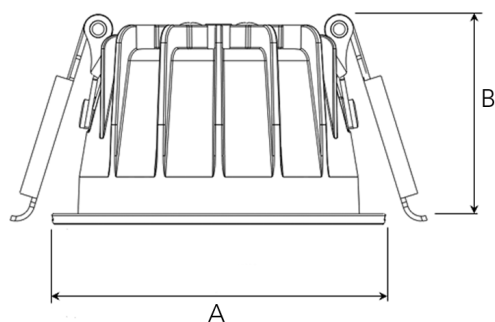




Spot		Medium		Flood		Wide Flood	
15°		27°		36°		56°	
m	ø	m	ø	m	ø	m	ø
1.0	0.26	1.0	0.47	1.0	0.65	1.0	1.06
2.0	0.53	2.0	0.95	2.0	1.30	2.0	2.12
3.0	0.79	3.0	1.42	3.0	1.95	3.0	3.18



A 71 B 42 (mm)



Saw instruction: ø 62

## Titan Micro 1200

### Technical specification

Recessed down light with chip on board and separated NL Power LED electronic ballast for optimal life time and light flow performance. High quality reflectors with four different beam spreads. Lamp housing of die-cast aluminium for optimal cooling and low weight.

**Model and colors** Available in white, black and grey.

**Area of use** Down light for indoor applications.

### Technical data

Mains (input) voltage	220-240 V
Total weight	0,2 kg
Form of protection	IP 20, class III
Light source	LED
Operating position	Vertical/fixed
Start time	Instant
Driver	Stand alone, included
Optics	Metalized aluminum reflector
Beam spreads	Spot, Medium, Flood, Wide flood

Art no	Description	Color
328-500-10	Spot	White
328-500-20	Spot	Black
328-500-30	Spot	Grey
328-501-10	Medium	White
328-501-20	Medium	Black
328-501-30	Medium	Grey
328-502-10	Flood	White
328-502-20	Flood	Black
328-502-30	Flood	Grey
328-503-10	Wide flood	White
328-503-20	Wide flood	Black
328-503-30	Wide flood	Grey

Type	Delivered lumen output (lm)	System power (W)	EEI <sup>3</sup>
930	1150	11	A+
940	1170	11	A+

### Note

The above article numbers applies to 930.

Product available in other Kelvin temperatures on request. Product available with DALI option on request. Final shipping destination may require minor modifications of components as well as article numbers, be sure to state the country in which the fixtures will be used.