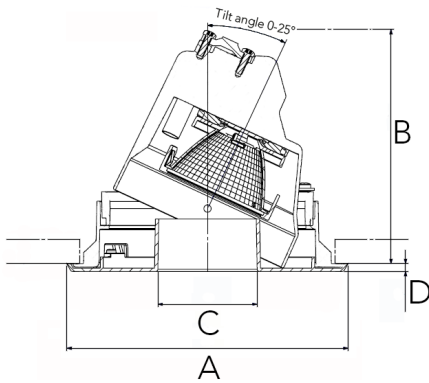




Spot		Medium	
13°		27°	
m	ø	m	ø
1.0	0.23	1.0	0.48
2.0	0.46	2.0	0.95
3.0	0.69	3.0	1.43



A 126 B 105 C 44,4 D 3,5 (mm)



Saw instruction: ø 114 mm

Ray 1200

Technical specification

Tiltable and rotating down light with chip on board and separated NL Power LED electronic ballast for optimal life time and light flow performance. High quality reflectors with two different beam spreads. Lamp housing of die-cast aluminium for optimal cooling and low weight.

Model and colors Available in black housing with white, black or grey front rim.

Area of use Down light for indoor applications.

Technical data

Mains (input) voltage	220-240 V
Total weight	0.4 kg
Light source	LED
Operating position	Vertical/fixed
Start time	Instant
Driver	Included
Optics	Metalized aluminum reflector
Beam spreads	Spot, Medium

Art no	Description	Color
317-500-10	Spot	White
317-500-20	Spot	Black
317-500-30	Spot	Grey
317-501-10	Medium	White
317-501-20	Medium	Black
317-501-30	Medium	Grey

Type	Delivered lumen output (lm)	System power (W)	EEI ³
930	1000	16	A

Note

The above article numbers applies to 930.

Product available in other Kelvin temperatures on request. Product available with DALI option on request. Final shipping destination may require minor modifications of components as well as article numbers, be sure to state the country in which the fixtures will be used.