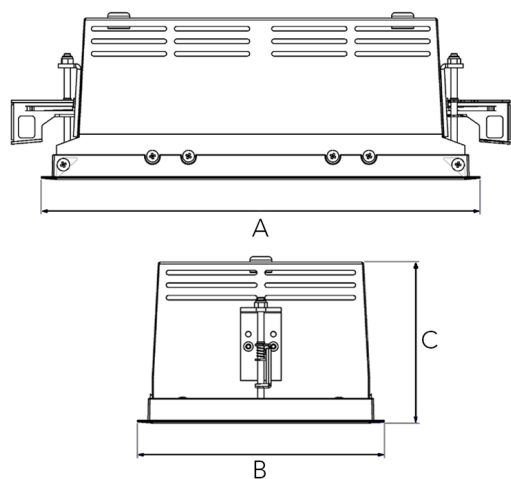
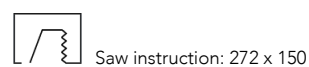




Spot		Medium		Flood	
16°		28°		40°	
m	ø	m	ø	m	ø
1.0	0.28	1.0	0.50	1.0	0.73
2.0	0.56	2.0	1.00	2.0	1.46
3.0	0.83	3.0	1.51	3.0	2.18



A 280 B 158 C 103 (mm)



## Orion II 1500

### Technical specification

Recessed down light with adjustable light direction using gyro function. Chip on board and separated NL Power LED electronic ballast for optimal life time and light flow performance. High quality reflectors with three different beam spreads. Lamp housing of die-cast aluminium for optimal cooling and low weight.

**Model and colors** Available in white, black and grey.

**Area of use** Down light for indoor applications.

### Technical data

Mains (input) voltage	220-240 V
Total weight	1,5 kg
Form of protection	IP 20, class III
Light source	LED
Operating position	Vertical/Gyro
Start time	Instant
Driver	Stand alone, included
Optics	Metalized aluminum reflector
Beam spreads	Spot, Medium, Flood

Art no	Description	Color
300-521-10	Spot	White
300-521-20	Spot	Black
300-521-30	Spot	Grey
300-522-10	Medium	White
300-522-20	Medium	Black
300-522-30	Medium	Grey
300-523-10	Flood	White
300-523-20	Flood	Black
300-523-30	Flood	Grey
1603	Suspension plate	-
298-315-001	Honeycomb filter	-
298-314-001	Filter holder	-
236-318-103	Diffuser glass	-
236-316-103	Assymetric glass	-

Type	Delivered lumen output (lm)	System power (W)	EEI <sup>3</sup>
930	2 x 1400	2 x 12	A++
940	2 x 1380	2 x 12	A++
840	2 x 1470	2 x 11	A++

### Note

The above article numbers applies to 930.

Product available in other Kelvin temperatures on request. Product available with DALI option on request. Product also available with faceplate. Final shipping destination may require minor modifications of components as well as article numbers, be sure to state the country in which the fixtures will be used.