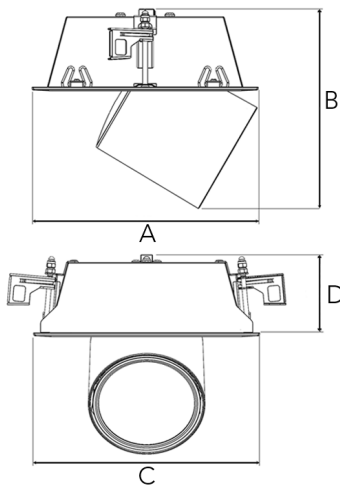
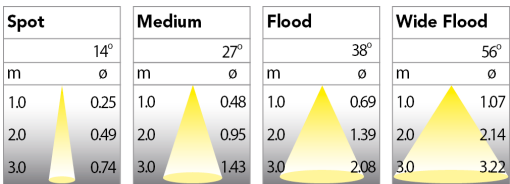


Flex I 4000



A 202 B 179 C 202 D 70 (mm)



Saw instruction: 177 x 191 mm

Technical specification

Tiltable and rotating down light with chip on board and separated NL Power LED electronic ballast for optimal life time and light flow performance. High quality reflectors with four different beam spreads. Lamp housing of die-cast aluminium for optimal cooling and low weight.

Model and colors Available in white, black and grey.

Area of use Down light for indoor applications.

Technical data

Mains (input) voltage	220-240 V
Total weight	1,1 kg
Form of protection	IP 20, class III
Light source	LED
Operating position	360°/60°
Start time	Instant
Driver	Stand alone, included
Optics	Metalized aluminum reflector
Beam spreads	Spot, Medium, Flood, Wide flood

Art no	Description	Color
306-530-10	Spot	White
306-530-20	Spot	Black
306-530-30	Spot	Grey
306-531-10	Medium	White
306-531-20	Medium	Black
306-531-30	Medium	Grey
306-532-10	Flood	White
306-532-20	Flood	Black
306-532-30	Flood	Grey
306-533-10	Wide Flood	White
306-533-20	Wide Flood	Black
306-533-30	Wide Flood	Grey
1603	Suspension plate	-
288-325-001	Honeycomb filter	-
288-324-001	Filter holder	-
236-316-102	Assymetric glass	-

Type	Delivered lumen output (lm)	System power (W)	EEI ³
930	3850	35	A++
940	3800	36	A+
840	3880	30	A++

Note

The above article numbers applies to 930.

Product available with Food COB on request. Product available in other Kelvin temperatures on request. Product available with DALI option on request. Final shipping destination may require minor modifications of components as well as article numbers, be sure to state the country in which the fixtures will be used.