

## ExO II 4000

### Technical specification

A double directional reflector, perfect for aisle lighting. Due to their high output and optimised optics the ExO series offers seamless, homogenous lighting without bright or dark spots. Indirect lighting also minimises glare resulting in a calm yet bright retail environment where light, and the customers attention, is focussed fully on the goods on display.

**Model and colors** Available in white, black and grey.

**Area of use** Wall washer for Indoor applications.

### Technical data

Mains (input) voltage	220-240 V
Total weight	1,55 kg
Form of protection	IP 20, class I
Light source	LED
Operating position	360°
Start time	Instant
Driver	Built in
Optics	Anodized aluminium reflector
Beam spreads	Flood

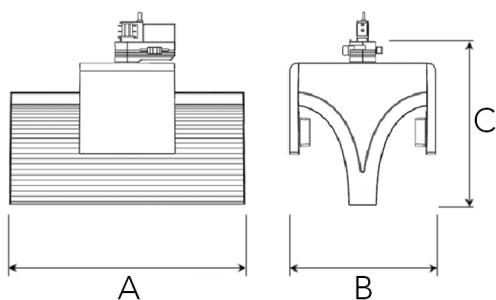
Art no	Description	Color
311-543-10	Flood	White
311-543-20	Flood	Black
311-543-30	Flood	Grey

Type	Delivered lumen output (lm)	System power (W)	EEI <sup>3</sup>
930	2 x 3800	2 x 38	A+
940	2 x 3800	2 x 34	A++
840	2 x 3850	2 x 30	A++

### Note

The above article numbers applies to 930.

Product available in other Kelvin temperatures on request. Final shipping destination may require minor modifications of components as well as catalogue numbers, be sure to state the country in which the fixtures will be used.



A 300 B 185 C 207 (mm)