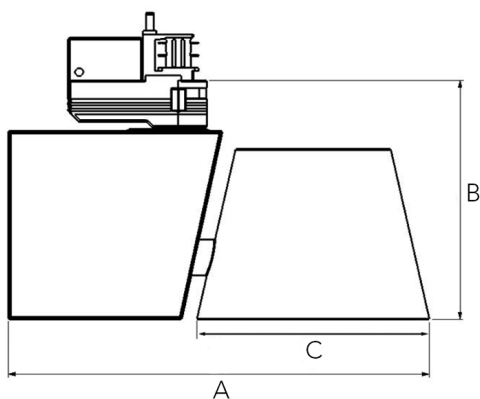




Spot		Medium		Flood		Wide Flood	
18°		28°		39°		55°	
m	ø	m	ø	m	ø	m	ø
1.0	0.31	1.0	0.49	1.0	0.72	1.0	1.05
2.0	0.63	2.0	0.99	2.0	1.43	2.0	2.10
3.0	0.94	3.0	1.48	3.0	2.15	3.0	3.15



A 234 B 133 C 129 (mm)

Eclipse 5000

Technical specification

Track light with incorporated electronic gear and Chip on board. High quality reflectors with four different beam spreads. Lamp housing of die-cast aluminium for optimal cooling, long lifetime and low weight. Black front ring.

Model and colors Available in white, black and grey.

Area of use Track light for indoor applications.

Technical data

Mains (input) voltage	220-240 V
Total weight	1,2 kg
Form of protection	IP 20, class I
Light source	LED
Operating position	360°/90°
Start time	Instant
Driver	Built in
Optics	Metalized aluminum reflector
Beam spreads	Spot, Medium, Flood, Wide flood

Art no	Description	Color
289-560-10	Spot	White
289-560-20	Spot	Black
289-560-30	Spot	Grey
289-561-10	Medium	White
289-561-20	Medium	Black
289-561-30	Medium	Grey
289-562-10	Flood	White
289-562-20	Flood	Black
289-562-30	Flood	Grey
289-563-10	Wide flood	White
289-563-20	Wide flood	Black
289-563-30	Wide flood	Grey
288-220-001	Flaps	-
288-324-001	Filter holder	-
288-325-001	Honeycomb filter	-
236-316-102	Assymetric glass	-

Type	Delivered lumen output (lm)	System power (W)	EEI ³
930	4740	48	A+
940	4980	48	A++
840	4920	39,5	A++

Note

The above article numbers applies to 930.

Product available in other Kelvin temperatures on request. Final shipping destination may require minor modifications of components as well as article numbers, be sure to state the country in which the fixtures will be used.