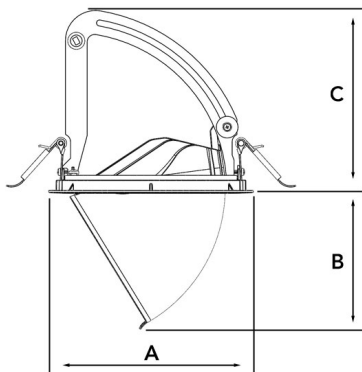




Spot		Medium		Flood		Wide Flood	
16°		30°		41°		54°	
m	ø	m	ø	m	ø	m	ø
1.0	0.28	1.0	0.53	1.0	0.76	1.0	1.02
2.0	0.56	2.0	1.06	2.0	1.51	2.0	2.05
3.0	0.83	3.0	1.59	3.0	2.27	3.0	3.07



A 170 B 115,5 C 150 (mm)



Saw instruction: ø 160 mm

## Amber 5000

### Technical specification

Retractable and rotating down light with chip on board and separated NL Power LED electronic ballast for optimal life time and light flow performance. High quality reflectors with four different beam spreads. Lamp housing of die-cast aluminium for optimal cooling and low weight.

**Model and colors** Available in white, black and grey.

**Area of use** Down light for indoor applications.

### Technical data

Mains (input) voltage	220-240 V
Total weight	0,92 kg
Form of protection	IP 20, class III
Light source	LED
Operating position	360°/60°
Start time	Instant
Driver	Stand alone, included
Optics	Metalized aluminum reflector
Beam spreads	Spot, Medium, Flood, Wide flood

Art no	Description	Color
282-532-10	Spot	White
282-532-20	Spot	Black
282-532-30	Spot	Grey
282-533-10	Medium	White
282-533-20	Medium	Black
282-533-30	Medium	Grey
282-534-10	Flood	White
282-534-20	Flood	Black
282-534-30	Flood	Grey
282-535-10	Wide flood	White
282-535-20	Wide flood	Black
282-535-30	Wide flood	Grey
168-25	Support plate	-
265-307-001	Honeycomb filter	-
274-322-001	Filter holder	-
236-318-101	Diffuser glass	-
236-316-101	Assymetric glass	-

Type	Delivered lumen output (lm)	System power (W)	EEI <sup>3</sup>
930	4740	48	A+
940	4980	48	A+
840	4920	39,5	A++

### Note

The above article numbers applies to 930.

Product available in other Kelvin temperatures on request. Product available with DALI option on request. Final shipping destination may require minor modifications of components as well as article numbers, be sure to state the country in which the fixtures will be used.