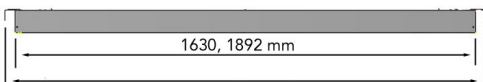
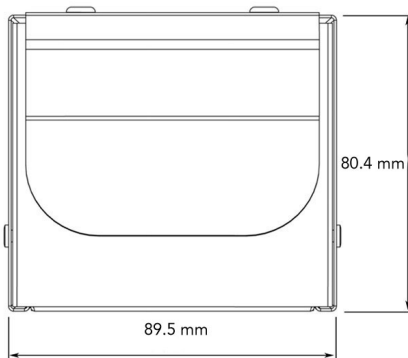




Flood	
97°/76°	
m	∅
1.0	2.27
2.0	4.54
3.0	6.81



Grid LED 6000

Technical specification

Linear down light for LED tubes. Reflector with flood beam spread. Housing of powder painted sheet metal. Built in electronic.

Model and colors Available in white.

Area of use LED light for indoor applications, suitable for general lighting.

Technical data

Mains (input) voltage	220-240 V
Total weight	4,57 kg
Form of protection	IP 20, class I
Color temperature	3 500 K
Light source	LED
Operating position	Vertical
Lamp holder	NLAB Standard
Control gear	Electronic
Start time	Instant
Driver	Separate
Reflector	High quality anodized reflector
Beam spreads	Flood
Design lifetime	L80 B10 50 000h

Art no	Description	Color
204-5xx	GRID LED 1900mm, 830	White
204-5xx	GRID LED 1900mm, 835	White
204-5xx	GRID LED 1900mm, 840	White
xx	GRID LED 1700mm, 830	White
xxx	GRID LED 1700mm, 835	White
xx	GRID LED 1700mm, 840	White

Type	Delivered lumen output (lm)	System power (W)	EEI ³
830	6300	61	A+
835	6450	61	A+
840	6600	61	A+

Note

Final shipping destination may require minor modifications of components as well as article numbers, be sure to state the country in which the fixtures will be used.