



## Eagle LED 7000

### Technical specification

Linear down light for LED tubes. Reflector with spot or flood beam spreads. Housing of powder painted extruded aluminium.

**Model and colors** Available in grey. Dali as option.

**Area of use** LED light for indoor applications, suitable for general lighting.

### Technical data

Mains (input) voltage	220-240 V
Total weight	Hook 3,65kg track 3,41 kg
Form of protection	IP 20, class I
Color temperature	3 000 K
Light source	LED
Operating position	Vertical
Lamp holder	NLAB Standard
Control gear	Electronic
Start time	Instant
Driver	Included
Reflector	High quality anodized reflector
Optics	
Beam spreads	Spot, Flood
Design lifetime	L80 B10 50 000h

Spot		Flood	
98/22°		110/61°	
m	ø	m	ø
1.0	2.32	1.0	2.85
2.0	4.63	2.0	5.69
3.0	6.95	3.0	8.54

### Art no

281-03-001  
281-03-002  
281-36

### Description

Eagle LED, 220-240V, for Track mounting  
Eagle LED, 220-240V, for Horizontal wire  
Horizontal wire and ceiling suspension

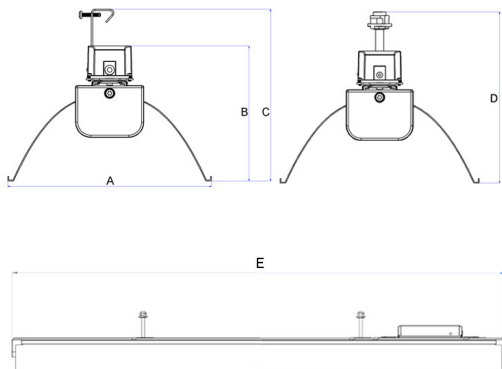
### Color

Grey  
Grey  
Grey

Type	Delivered lumen output (lm)	System power (W)	EEI <sup>3</sup>
830	6650	56	A+
835	6800	56	A+
840	7000	56	A+

### Note

Product also available in lower power levels. Final shipping destination may require minor modifications of components as well as article numbers, be sure to state the country in which the fixtures will be used.



A 216 B 143 C 182 D 185 E 1493 (mm)